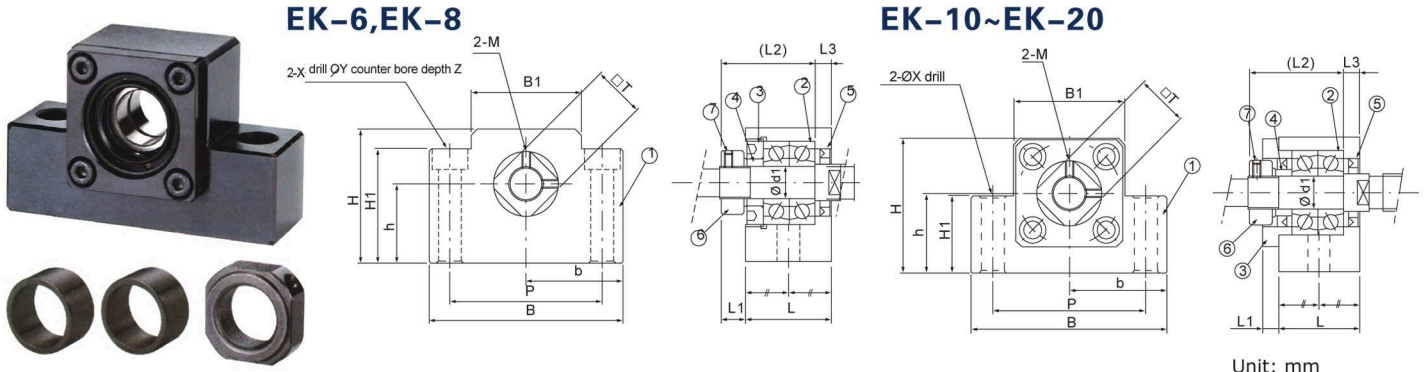


Ballscrew Support Unit



Support unit EK (fixed-side rectangular type)

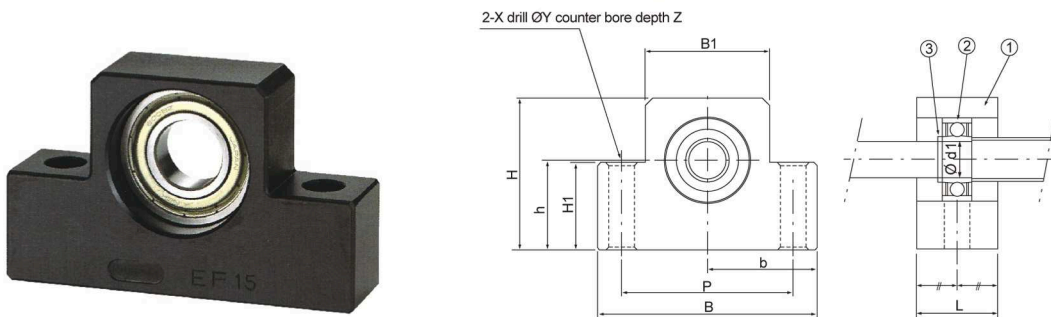


Unit: mm

Part No.	Shaft diameter d1	L	L1	L2	L3	B	H	b		h	B1	H1	P	X	Y	Z	M	T
								±0.02	±0.02									
EK-6	6	20	5.5	22	3.5	42	25	21	13	18	20	30	5.5	-	-	M3	12	
EK-8	8	23	7	26	4	52	32	26	17	25	26	38	6.6	9.5	11	M3	14	
EK-10	10	24	6	29.5	6	70	43	35	25	36	24	52	9	11	12	M3	16	
EK-12	12	24	6	29.5	6	70	43	35	25	36	24	52	9	-	-	M4	19	
EK-15	15	25	6	36	5	80	49	40	30	41	25	60	11	-	-	M4	22	
EK-20	20	42	10	50	10	95	58	47.5	30	56	25	75	11	-	-	M4	30	

① Housing ② Bearing ③ Holding lid ④ Collar ⑤ Seal ⑥ Lock nut ⑦ Hexagon socket-head Setscrew(with set piece)

Support unit EF (supported-side rectangular type)

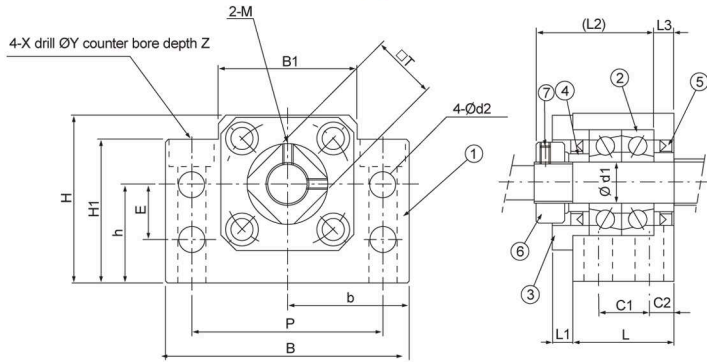
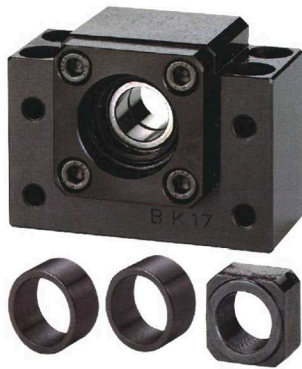


Unit: mm

Part No.	Shaft diameter d1	L	B	H	b		h	B1	H1	P	X	Y	Z	Bearing	Snap ring
					±0.02	±0.02									
EF-6	6	12	42	25	21	13	18	20	30	5.5	9.5	11	606ZZ	S 06	
EF-8	6	14	52	32	26	17	25	26	38	6.6	11	12	606ZZ	S 06	
EF-10	8	20	70	43	35	25	36	24	52	9	-	-	608ZZ	S 08	
EF-12	10	20	70	43	35	25	36	24	52	9	-	-	6000ZZ	S10	
EF-15	15	20	80	49	40	30	41	25	60	9	-	-	6002ZZ	S 15	
EF-20	20	26	95	58	47.5	30	56	45	75	11	-	-	6204ZZ	S 20	

① Housing ② Bearing ③ Snap ring

Support unit BK (fixed-side rectangular type)

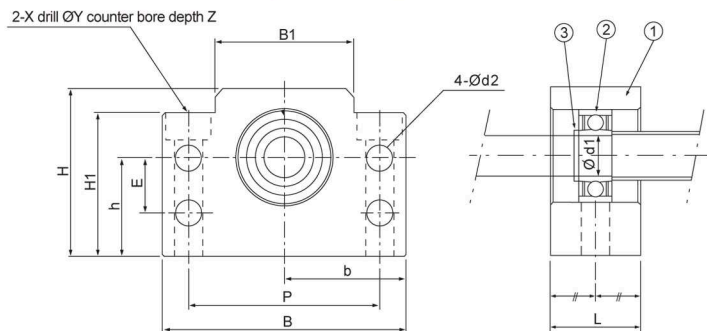
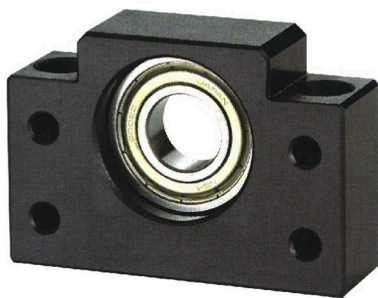


Unit: mm

Part No.	Shaft diameter d1	L	L1	L2	L3	B	H	b		h		B1	H1	E	P	C1	C2	d2	X	Y	Z	M	T
								± 0.02	± 0.02														
BK-10	10	25	5	29	5	60	39	30	22	34	32.5	15	46	13	6	5.5	6.6	10.8	5	M3	16		
BK-12	12	25	5	29	5	60	43	30	25	35	32.5	18	46	13	6	5.5	6.6	10.8	6.5	M4	19		
BK-15	15	27	6	32	6	70	48	35	28	40	38	18	54	15	6	5.5	6.6	11	6.5	M4	22		
BK-17	17	35	9	44	7	86	64	43	39	50	55	28	68	19	8	6.6	9	14	8.5	M4	24		
BK-20	20	35	8	43	8	88	60	44	34	52	50	22	70	19	8	6.6	9	14	8.5	M4	30		
BK-25	25	42	12	54	9	106	80	53	48	64	70	33	85	22	10	9	11	17.5	11	M5	35		
BK-30	30	45	14	61	9	128	89	64	51	76	78	33	102	23	11	11	14	20	13	M6	40		
BK-35	35	50	14	67	12	140	96	70	52	88	79	35	114	26	12	11	14	20	13	M8	50		
BK-40	40	61	18	76	15	160	110	80	60	100	90	37	130	33	14	14	18	26	17.5	M8	50		

① Housing ② Bearing ③ Holding lid ④ Collar ⑤ Seal ⑥ Lock nut ⑦ Hexagon socket-head Setscrew (with set piece)

Support unit BF (supported-side rectangular type)



Unit: mm

Part No.	Shaft diameter d1	L	B	H	b		h		B1	H1	E	P	d2	X	Y	Z	Bearing	Snap ring
					± 0.02	± 0.02												
BF-10	8	20	60	39	30	22	34	32.5	15	46	5.5	6.6	10.8	5	608ZZ	S 08		
BF-12	10	20	60	43	30	25	35	32.5	18	46	5.5	6.6	10.8	6.5	6000ZZ	S 10		
BF-15	15	20	70	48	35	28	40	38	18	54	5.5	6.6	11	6.5	6002ZZ	S 15		
BF-17	17	23	86	64	43	39	50	55	28	68	6.6	9	14	8.5	6203ZZ	S 17		
BF-20	20	26	88	60	44	34	52	50	22	70	6.6	9	14	8.5	6004ZZ	S 20		
BF-25	25	30	106	80	53	48	64	70	33	85	9	11	17.5	11	6205ZZ	S 25		
BF-30	30	32	128	89	64	51	76	78	33	102	11	14	20	13	6206ZZ	S 30		
BF-35	35	32	140	96	70	52	88	79	35	114	11	14	20	13	6207ZZ	S 35		
BF-40	40	37	160	110	80	60	100	90	37	130	14	18	26	17.5	6208ZZ	S 40		

① Housing ② Bearing ③ Snap ring

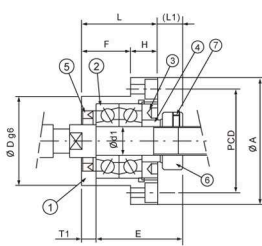


Support unit FK (fixed-side round type)

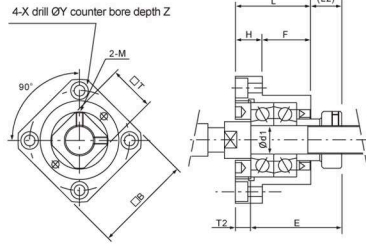


FK-6~FK-8

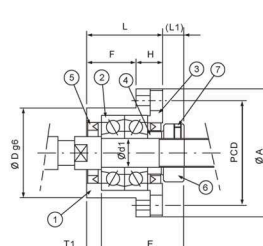
FK-10~FK-30



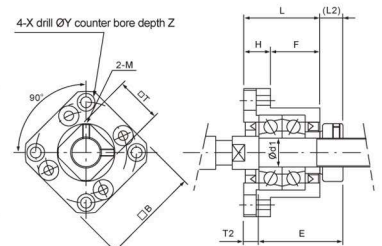
Mounting method A



Mounting method B



Mounting method A



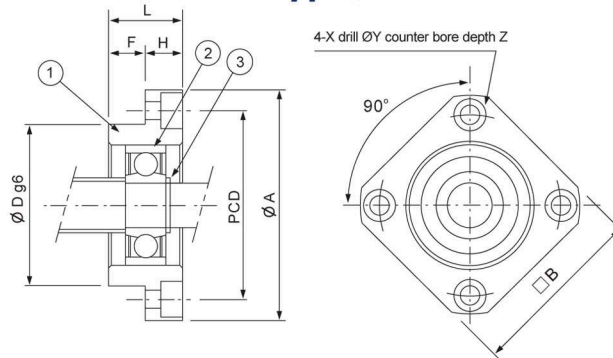
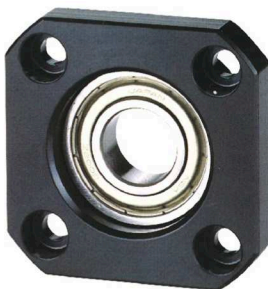
Mounting method B

Unit: mm

Part No.	Shaft diameter d1	L	H	F	E	Dg6	A	PCD	B	Mounting method A		Mounting method B		X	Y	Z	M	T	
										L1	T1	L2	T2						
FK-6	6	20	7	13	22	22	-0.007 -0.02	36	28	28	5.5	3.5	8.5	6.5	3.4	6.5	4	M3	12
FK-8	8	23	9	14	26	28	-0.007 -0.02	43	35	35	7	4	10	7	3.4	6.5	4	M3	14
FK-10	10	27	10	17	29.5	34	-0.009 -0.025	52	42	42	7.5	5	8.5	6	4.5	8	4	M3	16
FK-12	12	27	10	17	29.5	36	-0.009 -0.025	54	44	44	7.5	5	8.5	6	4.5	8	4	M4	19
FK-15	15	32	15	17	36	40	-0.009 -0.025	63	50	52	10	6	12	8	5.5	9.5	6	M4	22
FK-17	17	45	22	23	47	50	-0.009 -0.025	77	62	61	11	9	14	12	6.6	11	10	M4	24
FK-20	20	52	22	30	50	57	-0.010 -0.029	85	70	68	8	10	12	14	6.6	11	10	M4	30
FK-25	25	57	27	30	60	63	-0.010 -0.029	98	80	79	13	10	20	17	9	15	13	M5	35
FK-30	30	62	30	32	61	75	-0.010 -0.029	117	95	93	11	12	17	18	11	17.5	15	M6	40

① Housing ② Bearing ③ Holding lid ④ Collar ⑤ Seal ⑥ Lock nut ⑦ Hexagon socket-head Setscrew(with set piece)

Support unit FF (supported-side round type)



Unit: mm

Part No.	Shaft diameter d1	L	B	H	Dg6	B1	H1	P	X	Y	Z	Bearing	Snap ring
FF-6	6	10	6	4	22	-0.007 -0.02	36	28	28	3.4	6.5	4	606ZZ S 06
FF-10	8	12	7	5	28	-0.007 -0.02	43	35	35	3.4	6.5	4	608ZZ S 08
FF-12	10	15	7	8	34	-0.009 -0.025	52	42	42	4.5	8	4	6000ZZ S 10
FF-15	12	17	9	8	40	-0.009 -0.025	63	50	52	5.5	9.5	5.5	6002ZZ S15
FF-17	15	20	11	9	50	-0.009 -0.025	77	62	61	6.6	11	6.5	6203ZZ S 17
FF-20	20	20	11	9	57	-0.010 -0.029	85	70	68	6.6	11	6.5	6204ZZ S 20
FF-25	25	24	14	10	63	-0.010 -0.029	98	80	79	9	14	8.5	6205ZZ S 25
FF-30	30	27	18	9	75	-0.010 -0.029	117	95	93	11	17.5	11	6206ZZ S 30

① Housing ② Bearing ③ Snap ring



POWER BELT

MAGYARORSZÁG:

www.powerbelt.hu
linearistechnika@powerbelt.hu
+36 1/455-2079

ROMÂNIA:

www.powerbelt.ro
tehnicaliniaara@powerbelt.ro
+40 75 6138142

УКРАЇНА:

www.powerbelt.com.ua
liniyana.technika@powerbelt.com.ua
+380 3131 31306

SLOVENSKO:

www.powerbelt.sk
linearnatechnika@powerbelt.sk
+421 2 446 38 144